

- JOHNSON, C. K. (1976). *ORTEPII*. Report ORNL-5138. Oak Ridge National Laboratory, Tennessee, USA.
- KATO, K., INOUE, Z., KIJIMA, K., KAWADA, I., TANAKA, H. & YAMANE, T. (1975). *J. Am. Ceram. Soc.* **58**, 90–91.
- LIEBAU, F. (1985). *Structural Chemistry of Silicates*, p. 27. Berlin: Springer-Verlag.
- LINDQVIST, O., SJÖBERG, J., HULL, S. & POMPE, R. (1991). *Acta Cryst.* **B47**, 672–678.
- MEULENAER, J. DE & TOMPA, H. (1965). *Acta Cryst.* **19**, 1014–1018.
- MORGAN, P. E. D. (1977). *NATO Adv. Study Inst. Ser. Ser. E*, **23**, 23–40.
- O'KEEFE, M. & HYDE, B. G. (1978). *Acta Cryst.* **B34**, 27–32.
- ROBERTSON, J. (1981). *Philos. Mag. B*, **44**, 215–237.
- SCHULZ, H. & THIEMANN, K. H. (1977). *Solid State Commun.* **23**, 815–819.
- SRINIVASA, S. R., CARTZ, L., JORGENSEN, J. D., WORLTON, T. G., BEYERLEIN, R. A. & BILLY, M. (1977). *J. Appl. Cryst.* **10**, 167–171.
- TEXSAN (1989). *TEXRAY Structure Analysis Package*, version 5.0. MSC, 3200A Research Forest Drive, The Woodlands, TX 77381, USA.
- TRIGG, M. B. & JACK, K. H. (1987). *J. Mater. Sci. Lett.* **6**, 407–408.

*Acta Cryst.* (1991). **C47**, 2441–2442

## Structure of *trans*-[Rh(CO)Cl{P(C<sub>6</sub>H<sub>5</sub>)<sub>3</sub>}<sub>2</sub>]: a Centrosymmetric Triclinic Phase

BY YIH-JIUN CHEN, JU-CHUN WANG\* AND YU WANG†

*Department of Chemistry, Soochow University, Taipei, Taiwan*

(Received 12 November 1990; accepted 8 May 1991)

**Abstract.** *trans*-[Rh(CO)Cl{P(C<sub>6</sub>H<sub>5</sub>)<sub>3</sub>}<sub>2</sub>],  $M_r = 690.96$ , triclinic,  $P\bar{1}$ ,  $a = 9.182(3)$ ,  $b = 9.640(2)$ ,  $c = 10.384(2)$  Å,  $\alpha = 107.56(2)$ ,  $\beta = 89.70(2)$ ,  $\gamma = 110.48(2)^\circ$ ,  $V = 815.7(9)$  Å<sup>3</sup>,  $Z = 1$ ,  $D_x = 1.41$  g cm<sup>-3</sup>,  $\lambda(\text{Mo } K\alpha) = 0.71069$  Å,  $\mu = 7.2$  cm<sup>-1</sup>,  $F(000) = 352$ ,  $T = 298$  K,  $R = 0.036$  for 2878 reflections with  $I > 3\sigma(I)$ . The molecule lies at an inversion center with a disordered Cl atom and CO group. Rh—C(10) = 1.759(1), Rh—Cl = 2.380(2), Rh—P = 2.328(1) Å. The molecular structure is similar to the previously reported noncentrosymmetric triclinic ( $P1$ ) structure. However, unlike the previous report, the distance between C(10) and O(10), C—O = 1.14(1) Å, is well defined and reasonable.

**Experimental.** Yellow crystals of *trans*-carbonylchlorobis(triphenylphosphino)rhodium(I), *trans*-Rh(CO)Cl(PPh<sub>3</sub>)<sub>2</sub>, were grown from CH<sub>2</sub>Cl<sub>2</sub>/Et<sub>2</sub>O. A suitable column-like crystal with dimensions 0.15 × 0.17 × 0.32 mm was mounted on a glass fiber on an Enraf-Nonius CAD-4 diffractometer equipped with monochromated Mo  $K\alpha$  radiation. Cell constants were derived from least-squares refinement of 25 reflections having  $19 < 2\theta < 24^\circ$ . Intensity data were collected at room temperature using the  $\theta/2\theta$  scan technique with  $2 < 2\theta < 55^\circ$  ( $h = -11$  to 11;  $k = 0$  to 12;  $l = -13$  to 12). Three standard reflections were monitored every 3600 s, and only small (<2%) random variations were observed. A total of 3728 unique reflections were measured, of which 2878

were observed [ $I > 3\sigma(I)$ ]. Lorentz and polarization corrections were applied. An empirical correction based on a series of  $\psi$  scans was applied to the data;  $T_{\min} = 0.87$ ,  $T_{\max} = 0.99$ .

The atomic position of Rh was fixed at (0,0,0). The remaining non-H atoms were located in successive difference Fourier syntheses. H-atom positions were calculated using ideal geometry but were not included in the least-squares refinements. Atomic scattering factors including anomalous dispersion were taken from *International Tables for X-ray Crystallography* (1974, Vol. IV). The structure was refined by full-matrix least squares using *Personal SDP* (Frenz, 1989) on an 80386-based IBM compatible PC. All non-H atoms were refined anisotropically.  $\sum w(|F_o| - |F_c|)^2$  was minimized, where  $w = 4F_o^2/[\sigma^2(I) + 0.02(F_o)^2]$ . A secondary-extinction coefficient refined to a value of  $\chi = 5.21 \times 10^{-7}$ , at which point the correction factor  $(1 + \chi I)^{-1}$  was applied to  $F_c$ . Based on the centrosymmetric space group  $P\bar{1}$ , final  $R = 0.036$ ,  $wR = 0.045$ ,  $R_{\text{all}} = 0.059$  and  $S = 1.617$  obtained using 206 variables. The largest shift/e.s.d. was 0.02; maximum and minimum residual electron densities in the final difference Fourier map were 0.52 and  $-0.40$  e Å<sup>-3</sup>.

The atoms Cl—Rh—C(10)—O(10) are almost colinear [angle of Cl—Rh—C(10) is 179.7(3)°]. The disordered model in  $P\bar{1}$  leads to three atom sites for these ligands on each side of the Rh. The sites are sufficiently well resolved that atomic positional and anisotropic displacement parameters can be refined satisfactorily. Refinements based on the non-centrosymmetric space group  $P1$  were also carried out. CO and Cl remained disordered, and the

\* To whom correspondence should be addressed.

† Department of Chemistry, National Taiwan University, Taipei, Taiwan.

Table 1. Positional parameters and their e.s.d.'s

Anisotropically refined atoms are given in the form of the isotropic equivalent displacement parameter defined as:  $(4/3)[a^2\beta(1,1) + b^2\beta(2,2) + c^2\beta(3,3) + ab(\cos\gamma)\beta(1,2) + ac(\cos\beta)\beta(1,3) + bc(\cos\alpha)\beta(2,3)]$ .

	x	y	z	B (Å <sup>2</sup> )
Rh	0.000	0.000	0.000	2.549 (7)
Cl	-0.2120 (2)	-0.1590 (2)	0.0864 (2)	4.69 (5)
P	0.01922 (9)	0.20796 (9)	0.19370 (8)	2.77 (2)
O(10)	0.2554 (8)	0.1962 (7)	-0.1060 (6)	7.1 (2)
C(10)	0.1573 (9)	0.1176 (8)	-0.0631 (7)	3.9 (2)
C(11)	0.1273 (4)	0.4061 (4)	0.1913 (4)	3.65 (8)
C(12)	0.2873 (5)	0.4510 (5)	0.1841 (4)	5.0 (1)
C(13)	0.3724 (7)	0.5991 (5)	0.1784 (5)	7.0 (1)
C(14)	0.2973 (8)	0.6993 (6)	0.1782 (6)	8.9 (2)
C(15)	0.1430 (8)	0.6549 (5)	0.1817 (6)	9.1 (2)
C(16)	0.0532 (6)	0.5082 (4)	0.1888 (5)	6.2 (1)
C(21)	-0.1719 (4)	0.2105 (4)	0.2392 (4)	3.48 (8)
C(22)	-0.2081 (4)	0.2410 (4)	0.3715 (4)	4.15 (9)
C(23)	-0.3578 (5)	0.2411 (5)	0.3981 (5)	5.8 (1)
C(24)	-0.4646 (5)	0.2156 (6)	0.2956 (5)	6.8 (1)
C(25)	-0.4294 (5)	0.1863 (6)	0.1653 (5)	6.7 (1)
C(26)	-0.2822 (5)	0.1824 (5)	0.1356 (5)	5.5 (1)
C(31)	0.1154 (4)	0.1998 (4)	0.3435 (3)	3.10 (7)
C(32)	0.1221 (4)	0.0602 (4)	0.3428 (4)	4.14 (9)
C(33)	0.1934 (5)	0.0494 (5)	0.4553 (4)	5.7 (1)
C(34)	0.2564 (5)	0.1757 (6)	0.5660 (4)	5.9 (1)
C(35)	0.2503 (6)	0.3155 (6)	0.5683 (5)	6.6 (2)
C(36)	0.1800 (5)	0.3294 (5)	0.4567 (4)	5.1 (1)

refinements were not satisfactorily convergent because of large correlations between variables related by inversion symmetry. In a previous report of this structure by Del Pra, Zanotti & Segala (1979), an unacceptable C(10)—O(10) distance of 0.74 (1) Å was obtained, assuming the noncentrosymmetric space group *P*1, whereas in the centrosymmetric space group *P* $\bar{1}$  we obtain a value of 1.14 (1) Å which is chemically reasonable. Therefore we report the structure as being disordered with space group *P* $\bar{1}$ .

Final positional parameters are presented in Table 1.\* Bond lengths and angles are listed in Table 2. Fig. 1 shows an ORTEP drawing (Johnson, 1970; Frenz, 1989) of the molecule and atomic labeling scheme.

**Related literature.** Del Pra, Zanotti & Segala (1979) have reported a noncentrosymmetric triclinic structure with abnormal C—O distance. Ceriotti, Ciani & Sironi (1983) and Rheingold & Geib (1987) have reported a monoclinic structure of the title compound. The iodo analog has also been reported (Basson, Leipoldt & Roodt, 1990).

These studies are supported by the National Science Council (NSC80-0208-M031-05) of Taiwan.

\* Lists of structure factors, anisotropic displacement parameters and hydrogen positional parameters have been deposited with the British Library Document Supply Centre as Supplementary Publication No. SUP 54233 (46 pp.). Copies may be obtained through The Technical Editor, International Union of Crystallography, 5 Abbey Square, Chester CH1 2HU, England.

Table 2. Bond distances (Å) and angles (°)

Numbers in parentheses are e.s.d.'s in the least significant digits.

Rh—Cl	2.380 (2)	C(15)—C(16)	1.390 (7)
Rh—P	2.3279 (7)	C(21)—C(22)	1.380 (5)
Rh—C(10)	1.759 (7)	C(21)—C(26)	1.378 (6)
Cl—O(10)	0.522 (7)	C(22)—C(23)	1.401 (6)
Cl—C(10)	0.622 (7)	C(23)—C(24)	1.356 (7)
P—C(11)	1.826 (4)	C(24)—C(25)	1.358 (8)
P—C(21)	1.821 (4)	C(25)—C(26)	1.396 (7)
P—C(31)	1.828 (4)	C(31)—C(32)	1.366 (6)
O(10)—C(10)	1.14 (1)	C(31)—C(36)	1.377 (4)
C(11)—C(12)	1.387 (6)	C(32)—C(33)	1.390 (7)
C(11)—C(16)	1.385 (7)	C(33)—C(34)	1.344 (5)
C(12)—C(13)	1.387 (6)	C(34)—C(35)	1.362 (9)
C(13)—C(14)	1.37 (1)	C(35)—C(36)	1.392 (8)
C(14)—C(15)	1.33 (1)		
Cl—Rh—P	87.76 (5)	C(12)—C(11)—C(16)	119.6 (4)
Cl—Rh—C(10)	179.7 (3)	C(11)—C(12)—C(13)	119.8 (5)
P—Rh—C(10)	92.1 (2)	C(12)—C(13)—C(14)	119.6 (5)
Rh—P—C(11)	118.2 (1)	C(13)—C(14)—C(15)	120.6 (5)
Rh—P—C(21)	112.17 (9)	C(14)—C(15)—C(16)	121.8 (6)
Rh—P—C(31)	112.5 (1)	C(11)—C(16)—C(15)	118.5 (5)
C(11)—P—C(21)	104.1 (2)	C(22)—C(21)—C(26)	119.8 (4)
C(11)—P—C(31)	103.2 (2)	C(21)—C(22)—C(23)	119.2 (4)
C(21)—P—C(31)	105.4 (2)	C(22)—C(23)—C(24)	120.5 (4)
Rh—C(10)—O(10)	177.2 (9)	C(23)—C(24)—C(25)	120.6 (5)
P—C(11)—C(12)	118.3 (3)	C(24)—C(25)—C(26)	120.1 (5)
P—C(11)—C(16)	122.0 (3)	C(21)—C(26)—C(25)	119.8 (4)
P—C(21)—C(22)	122.7 (3)	C(32)—C(31)—C(36)	119.2 (4)
P—C(21)—C(26)	117.5 (3)	C(31)—C(32)—C(33)	120.3 (3)
P—C(31)—C(32)	118.7 (2)	C(32)—C(33)—C(34)	120.6 (5)
P—C(31)—C(36)	122.1 (3)	C(33)—C(34)—C(35)	119.9 (5)
		C(34)—C(35)—C(36)	120.6 (4)
		C(31)—C(36)—C(35)	119.5 (5)

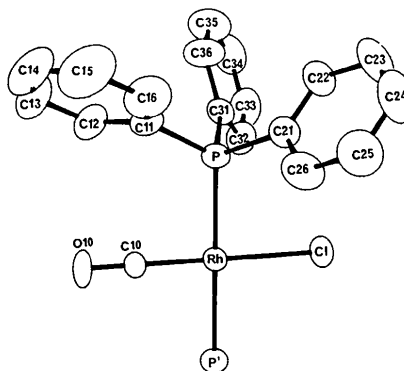


Fig. 1. ORTEP drawing of the title compound with 50% probability ellipsoids.

## References

- BASSON, S. S., LEIPOLDT, J. G. & ROODT, A. (1990). *Acta Cryst.* **C46**, 142–143.
- CERIOTTI, A., CIANI, G. & SIRONI, A. (1983). *J. Organomet. Chem.* **247**, 345–350.
- DEL PRA, A., ZANOTTI, Z. & SEGALA, P. (1979). *Cryst. Struct. Commun.* **8**, 959–964.
- FRENZ, B. A. (1989). *Personal SDP – A Real-Time System for Solving, Refining, and Displaying Crystal Structures*. B. A. Frenz & Associates, Inc., College Station, TX, USA.
- JOHNSON, C. K. (1970). *ORTEP*. Report ORNL-3794 (second revision). Oak Ridge National Laboratory, Tennessee, USA.
- RHEINGOLD, A. L. & GEIB, S. J. (1987). *Acta Cryst.* **C43**, 784–786.